

Mobile Disinfection Towers
UV-C Tower 80

T80



macwarrenuv.com

Project:		Catalog #		Type:	
Prepared by:		Notes:		Date:	

Mobile Disinfection Towers

UV-C Tower 80

Lab tested by a leading European university, the observed pathogen reduction rate of the UV-C Tower 80 proved both effective and rapid within minutes: a key component in a layered strategy to combat treatment-resistant pathogens including COVID-19, C. difficile, and MRSA.*

Benefits Of The UV-C Tower 80

- Powerful, ozone-free, 360° room coverage.
- Outstanding safety features designed to protect users from harmful UV-C light.
- 360° wheels with ease of movement and locking ability.
- Limited warranty with an extended warranty option available.
- Ongoing product support options available for custom set up, training, software and maintenance service.
- User-friendly interface with easy to use applications such as:
 - Room-based run time customization.
 - Disinfection interruption warnings and notifications.
 - RFID access control
 - Safety start up warning and count down to disinfection.



Product Certification



Typical Applications:



Credible

The T80's effectiveness has been independently confirmed by reputable universities in Canada and Poland.



Trusted

The T80 is powered by Eaton: a long established and globally respected electrical company.



Reliable

The T80 is designed and manufactured in Europe using top quality components.



Versatile

The T80 is suited to both large and small spaces in many different industries and applications.

Top Product Features

Radar sensor for safety shutdown

Powerful 300 Watt disinfection

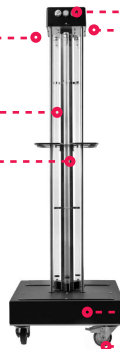
Phillips UVC fluorescent tubes with shatter resistant safety encapsulation

Easy and simple to use

RFID access control

Powered by Eaton controller

360° commercial grade wheels for easy movement and safety locks for secure storage

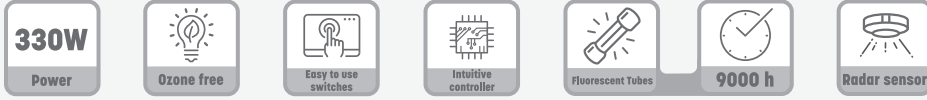


* see page 3 for details

Mobile Disinfection Towers

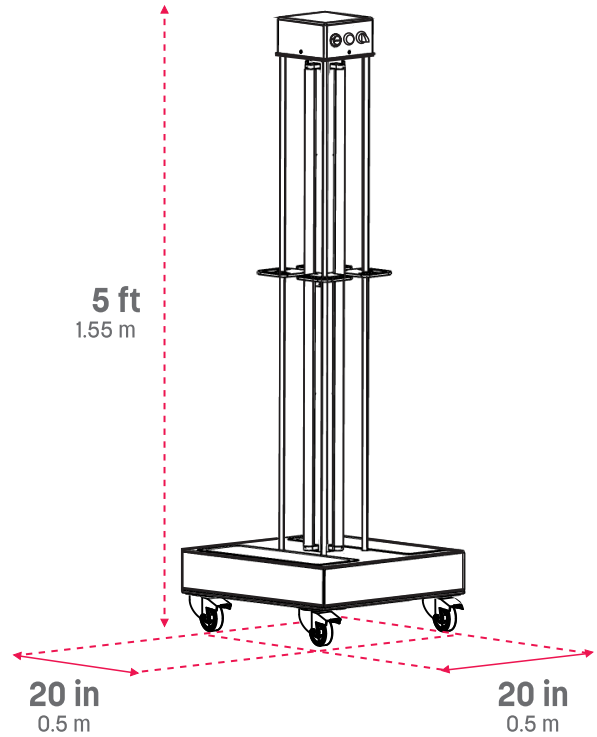
UV-C Tower 80

Specifications at a Glance



Specifications

	Device power Disinf. power	330W 300W
	Voltage	120V 60Hz - US 230V 50Hz - EU
	UV-C Fluorescent tube	4x75 W Philips UV-C fluorescent tubes with shatter resistant safety encapsulation.
	UV-C Fluorescent tube lifespan	9.000 hours
	Sensor	1 x microwave motion sensor for maximum protection
	Power cord	33 ft (10 m) reliable, durable power cord.
	Wheels	4 commercial wheels for easy maneuverability
	Material	Light weight, solid construction. made of stainless steel and aluminum. UV-C resistant paint coating.
	Safe and easy movement	Ergonomically positioned grab handles for safe and easy movement.
	Protection class	IP23
	UV Tower set contains	Instruction manual, Dosage Coverage Confirmation stickers, Warning door knob hanger.

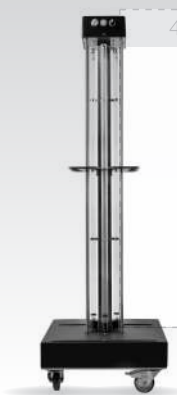


Mobile Disinfection Towers

UV-C Tower 80

Device Positioning

Each device comes with dosage confirmation stickers for optimal set up. Alternatively, the MacWarren Customizable Set Up Feature provides digital UV-C dosage modeling and optional on site assessments.



	3 ft (0,9 m)	6 ft (1,8 m)	9 ft (2,7 m)	12 ft (3,6 m)
	400%	100%	44%	25%
SARS Cov-2	36 s	1m 35s	3m 4s	5m 14s
MRSA	1m 20s	3m 37s	6m 56s	11m 54s
C. Difficile	2m 44s	7m 15s	13m 53s	23m 49s

Energy to Distance

The table above shows the run times needed for the targeted pathogen reduction at the distance from the T80 tower. The results were obtained by measuring the power of UV-C light at specific distances. The power in [mW / cm²] multiplied by the time unit [s] makes it possible to calculate the radiation dose in [mJ / cm²].

Based on testing carried out at and reported by the Jagiellonian University, Department of Microbiology, Krakow

The UV-C Tower 80 was lab tested by the Department of Microbiology at the Jagiellonian University, Krakow.

The UV-C Tower 80 was studied in conditions far exceeding the environmental contamination of hospital wards in real conditions (suspensions of microorganisms with densities of 1-6.4E+6 CFU/ml cultured in growth medium).

The observed reduction rate of 100% in the majority of measurements performed at a time of 20 minutes confirms the high efficiency of the device in surface disinfection.

The UV-C Tower 80 was confirmed during testing to be highly efficient when used to eliminate bacteria and fungi.

* Report issued June 21, 2021 by Medical College, Department of Microbiology, Jagiellonian University, Krakow.